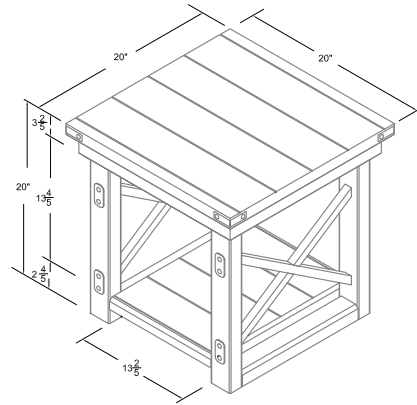


End Table  
Model Number: 5050196PCOM  
Finish: Dark Oak



---

OVERALL PRODUCT SIZE(in inches)  
Kitchen Cart: 20" (W) \* 20" (D) \* 20" (H)



---

MAXIMUM WEIGHT CAPACITIES

